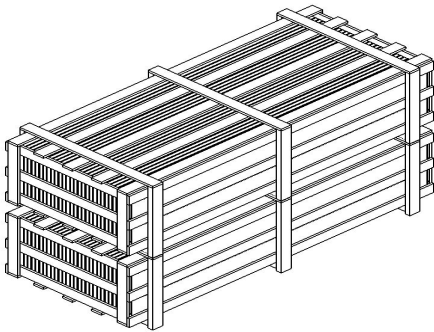
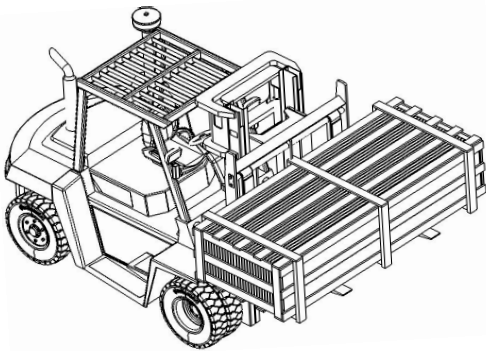


## ITULA RADIANT PANEL LIFTING INSTRUCTIONS

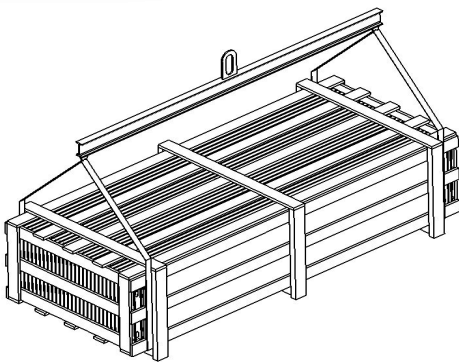
**Please note:** It is the consignee's responsibility to take care of the unloading of the delivered goods and the condition of the unloading equipment. Always follow the manufacturer's instructions when unloading and handling radiant panels. If sufficient personnel and suitable equipment for unloading as instructed are not available, make arrangements for the unloading with your Itula contact person. Itula is not responsible for any damages caused by failure to follow these instructions.



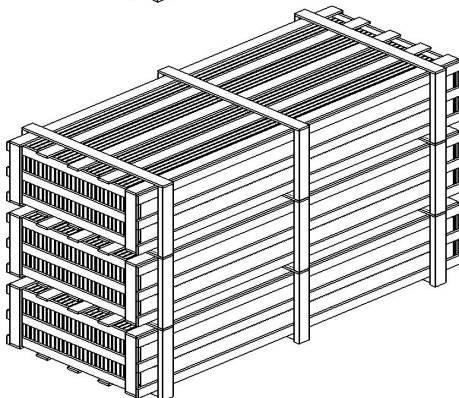
1. Itula radiant panels are delivered in wooden transport boxes. Boxes should always be lifted to be unloaded, never pushed or pulled. No other load must be placed on top of the boxes when they are being lifted.



2. Radiant panels can be unloaded from a lorry using a forklift truck. To avoid damage, transport boxes must be moved one at a time. When lifting a box, place the forks of the forklift truck in the middle of the box. The forks must be longer than the depth of the box. Make sure that the transport box is balanced!



3. If the radiant panels are unloaded from a lorry by crane, a beam must be used when lifting the load. The slings are placed around the box at the supports. To avoid damage, transport boxes must be lifted one at a time.



4. Do not stack more than two transport boxes on top of each other. In this case, the box on the top must be exactly aligned with the lower box. The boxes must be placed on a flat surface.

**For more information, please contact:**

**Lassi Vertanen**

Logistics Coordinator

+358 400 551 509, [lassi.vertanen@itula.fi](mailto:lassi.vertanen@itula.fi)